

13F-2Z-A2

RELAY SOCKET



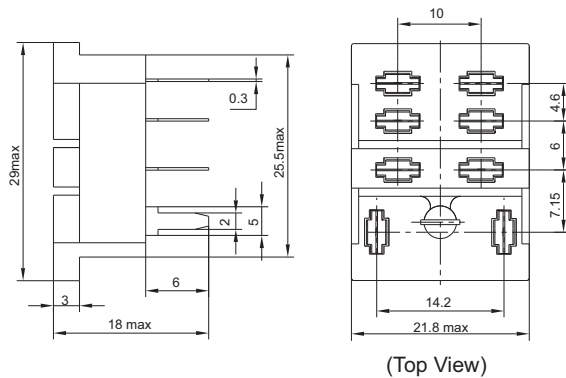
CHARACTERISTICS

Ambient temperature :	-40 °C to 70°C
Rated voltage :	250VAC
Rated current :	10A (per pole)
Dielectric strength min. :	2000VAC (between input & output)
Steel retainer type:	18FF-H1
Applicable relay type:	HF13F (2 poles)

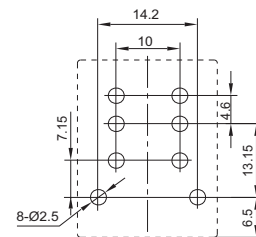
DIMENSIONS, PC BOARD LAYOUT AND WIRING DIAGRAM

Unit: mm

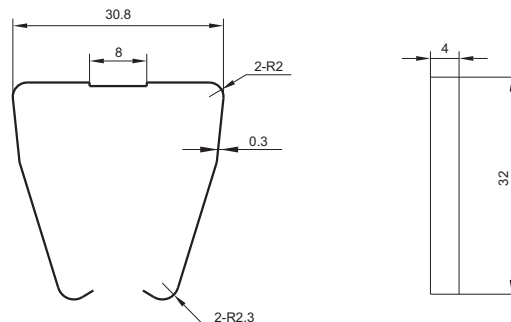
Outline Dimensions



PCB Layout



Retainer Dimensions (18FF-H1)



HONGFA RELAY

ISO9001, ISO/TS16949, ISO14001, OHSAS18001, IECQ QC 080000 CERTIFIED

2009 Rev. 1.10