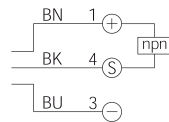


Capacitive level probe

- For conductive, non-conductive and viscous materials
- Probe rod made of teflon
- For conductive, non-conductive and viscous materials
- High temperature range
- High protection class



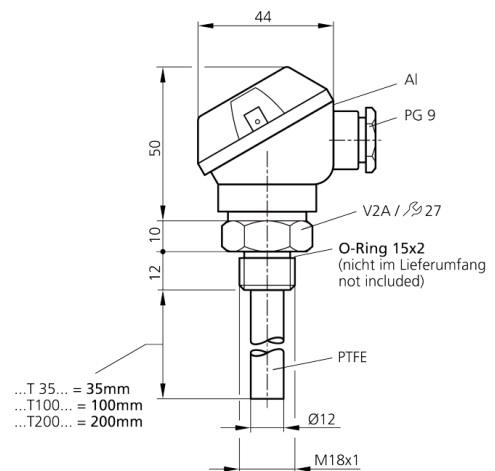
Anschlusschema Connection diagram



BN = Braun / brown
BK = Schwarz / black
BU = Blau / blue

Safety instructions

The Instruments are not to be used for safety applications, in particular applications in which safety of persons depends on proper operation of the instruments. These instruments shall exclusively be used by qualified personnel. Repair only by di-soric.



Technical Details (typ.)

| | |
|----------------------------|--|
| Thread | M18 x 1 |
| Output | npn, 100 mA, NC |
| Service voltage | 10 ... 35 V DC |
| Maximum rating | 100 mA |
| Internal power consumption | < 10 mA |
| Voltage drop | 2,0 V |
| Operating frequency | 5 Hz |
| Switching hysteresis | material dependent |
| Ambient temperature | -30 ... +125 °C (LED to +100 °C) |
| Protection class | IP 67 connection compartment, IP 68 probe clamps |
| Connection | |