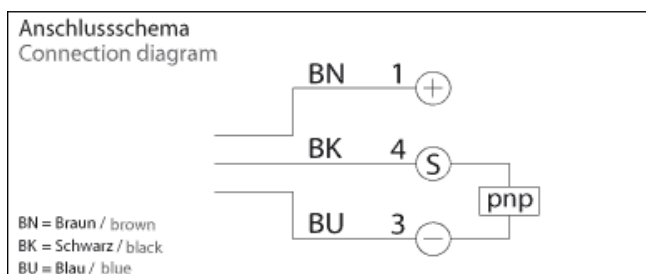
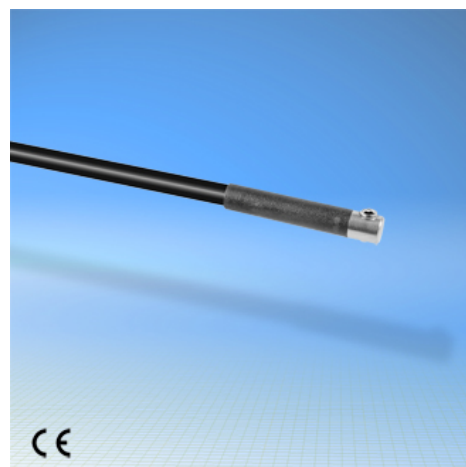


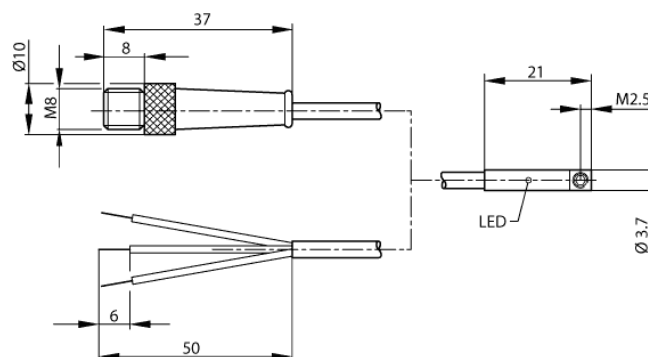
Cylinder sensor

- For pneumatic cylinders with round slot 3.7 mm
- Short design
- Stainless steel fastening part
- All-electronically
- Molded electronic circuitry
- Vibration-resistant
- High reproducibility
- High Protection class



Safety instructions

These instruments shall exclusively be used by qualified personnel. The instruments are not to be used for safety applications, in which safety of persons depends on proper operation of the instruments.



Technical Details (typ.)

Connection	cable PUR, 5.000 mm
Service voltage	10 ... 30 V DC
Cylinder slot	C-shaped slot 3,7 mm
Output	transistor pnp, NO
Maximum rating	100 mA, not short-circuit-proof, polarity-safe
Contact rating	3 W max. (30 V, 100 mA)
Internal power consumption	< 11 mA
Voltage drop	< 2,0 V
Operating frequency	10.000 Hz
Reproducibility	< 0,1 mm
Ambient temperature	-25 ... +70 °C
Insulation voltage endurance	500 V
Protection class	IP 67
Indicators	LED: yellow - output signal
Mounting	allen screw SW 1.3 mm
Casing material	plastic and stainless steel