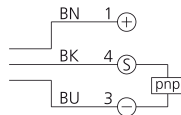


Capacitive level probe

- For conductive, non-conductive and viscous materials
- Probe rod made of teflon
- For conductive, non-conductive and viscous materials
- High temperature range
- High protection class



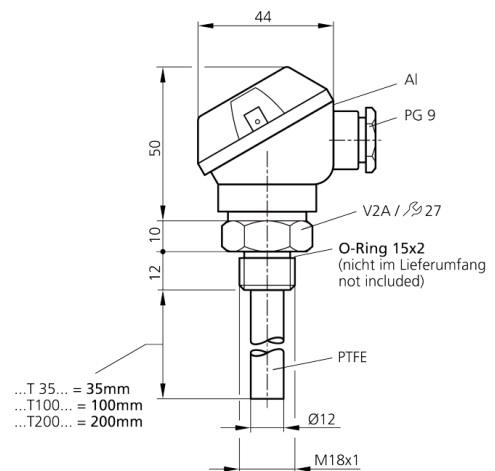
Anschlusschema Connection diagram



BN = Braun / brown
BK = Schwarz / black
BU = Blau / blue

Safety instructions

The Instruments are not to be used for safety applications, in particular applications in which safety of persons depends on proper operation of the instruments. These instruments shall exclusively be used by qualified personnel. Repair only by di-soric.



Technical Details (typ.)

Thread	M18 x 1
Output	pnp, NO
Service voltage	10 ... 35 V DC
Maximum rating	100 mA
Internal power consumption	< 10 mA
Voltage drop	2,0 V
Operating frequency	5 Hz
Switching hysteresis	material dependent
Ambient temperature	-30 ... +125 °C (LED to +100 °C)
Insulation voltage endurance	500 V
Protection class	IP 67 connection compartment, IP 68 probe
Connection	clamps