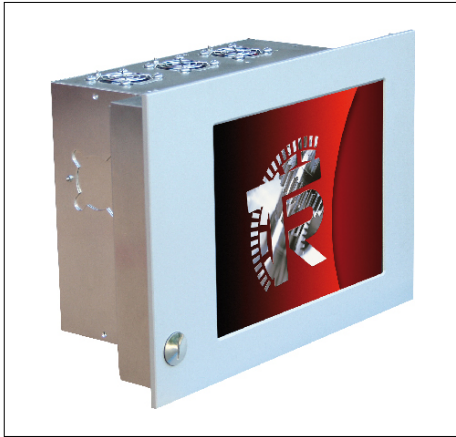


VPC12



- **Modular System**
- **Industrial approved components**
- **Compact Design**
- **Ideal for hard environments / Solid & robust**
- **Long time availability**
- **Scaleable CPU Performance**
- **Scaleable Display dimensions**
- **Front access for USB interface**

TR-Systemtechnik GmbH, Eglisshalde 16, 78647 Trossingen, Tel.: +49 (0) 7425 228-0, Fax: +49 (0) 7425 228-34, www.tr-systemtechnik.de, info@tr-systemtechnik.de

Technical data

TFT Module

Panel size	12,1"
Display type / Interface.....	a-Si TFT active matrix
Resolution / Display colours.....	standard SVGA 800x600 / 262.144
.....	optional XGA 1024x768 / 16,8Mio
Surface treatment	Anti-glare treatment 3H
Viewing angle.....	vertical 110° / horizontal 140°
Brightness.....	at least 370 cd/m ²
Backlight unit.....	2 CCTL / Lifetime typ. 50.000h

CPU Board

Processor.....	from Intel® 800MHz to Intel® Pentium® M 2,0GHz
Chipset.....	Intel® 855GME, Intel® 852GME
Memory.....	1x DDR-DIMM up to 1GByte
Preloaded operating system	Windows/ Linux
Standard interfaces.....	2x RS232; up to 6x USB 2.0 (optional up to 2x USB front access)
.....	PS/2 mouse and keyboard, VGA,
.....	up to 2 LAN 10/100 Base-T on board
Possible drives.....	up to 2x 3,5" Hard disk, Compact flash up to 2GByte,
.....	CD/DVD-ROM, CD/DVD-RW; RAID1 System
Free card slots.....	2x PCI
Optional monitoring functions.....	Temperature, Fan, Watchdog

Optional 8-wire TouchScreen

Haze and clarity	Hard coat HCG12 – Haze 5%, clarity 77%
Point activation.....	min. 1.000.000 activations at a single point
Gouge Hardness.....	≥4H

Optional CF card

Compact flash Card	High Grade functionality and extended temperature range
--------------------------	---

Electrical data

Power supply	120/240VAC (optional 24V DC)
--------------------	------------------------------

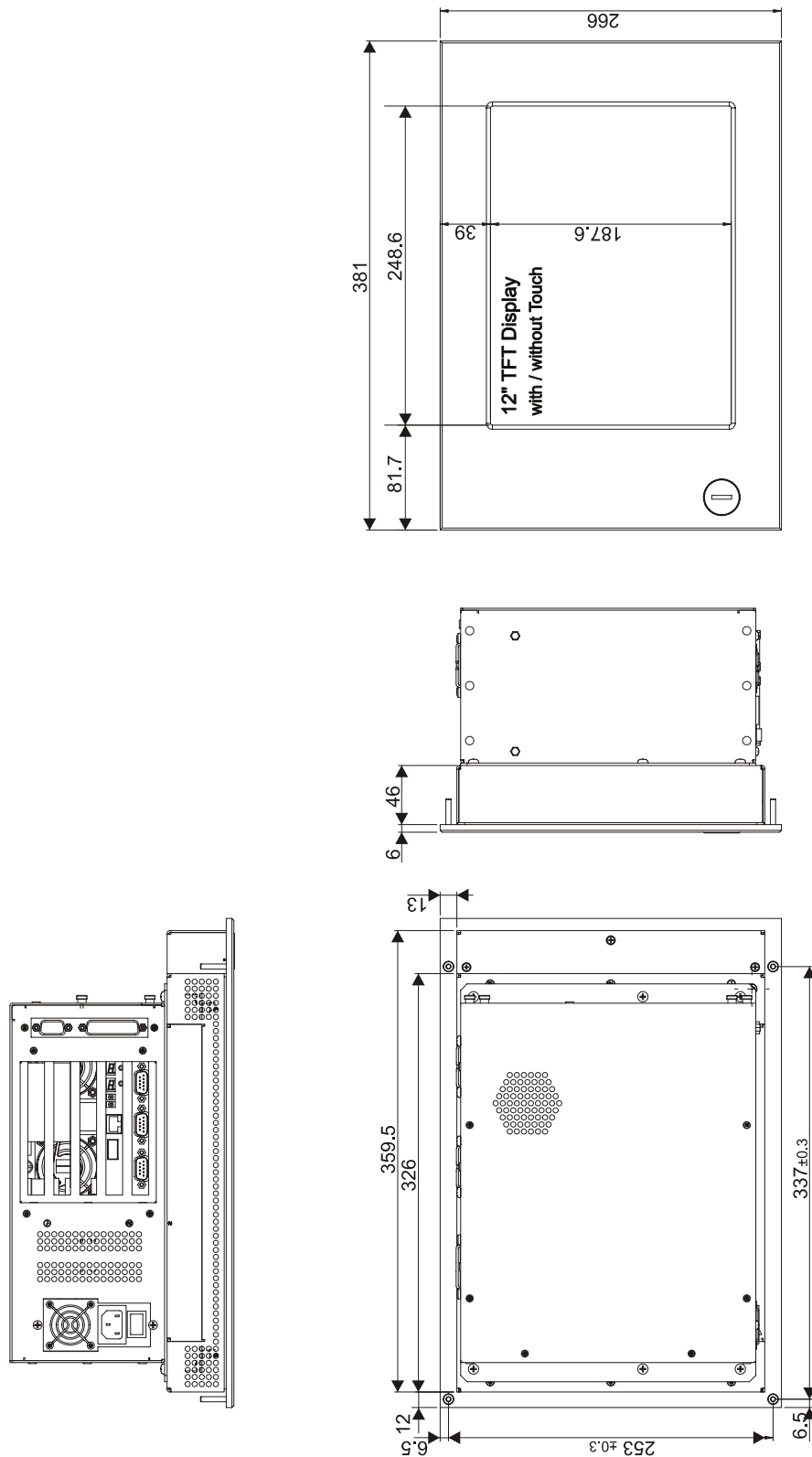
Environmental conditions

EMI	EN 50081-2; EN 55011; EN 50082-2; EN 61000-4-2;
.....	EN 61000-4-3; EN 61000-4-4; EN 61000-4-5
Protecting class.....	front side IP65, back side IP20
Operating temperature [°C].....	0...+45
Storage temperature [°C].....	-20...+60
Humidity (rel).....	90% (non condensing)
Weight.....	7kg

Front prints..... Customized prints on request

VPC12

Drawing



VPC15

Drawing

